



Specializing in Cafeteria Serving Lines

G.A. SYSTEMS, Inc.

Lid Storage Cart LC36

Project: _____
 Item #: _____
 Model #: _____



SPECIFICATIONS

G.A. Systems Lid Storage Cart is designed to hold (8) lids from G.A. Systems cabinets throughout the serving period while the cabinets are in use. Lid Storage Cart LC36 is used with 36-3/8" wide Speedline Cabinets.

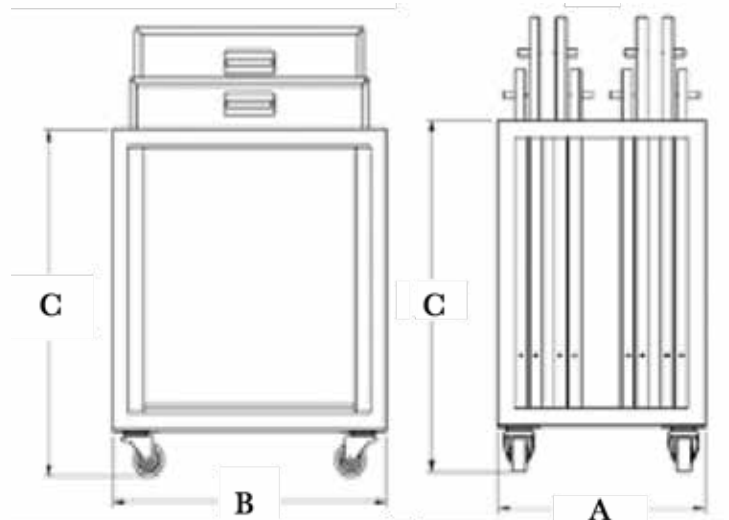
Tubular frame design utilizes 1-1/2" square stainless steel tubing on four corners joined together with 1" square stainless steel tubing and 1" square hot rolled tubing.

Interior cart contains eight channels for lids to slide in and remain in place. Four longer lids rest on base and four shorter lids rest on specially designed pin to hold lids in place.

Plate type 5" swivel non-marking casters.

DIMENSIONS

MODEL	A	B	C
LC36	22"	32"	30-1/2"



Rev 03/2018