



Specializing in Cafeteria Serving Lines

G.A. SYSTEMS, Inc.

Speedline ADA Cashier Stand



Model D3136A shown.

Project: _____
 Item #: _____
 Model #: _____

Speedline Cashier Stand allow for ease of placement of cash registers. Exterior options include high pressure laminate, stainless steel, powder coated, graphics and more.

SPECIFICATIONS

Top is 16 gauge 304 stainless steel #4 finish bound with (4) 10/32 stainless steel screws flush at each end. No exposed screws on the front or back of cabinet. Front and back edges turned down 102 degrees for sleek aesthetics. Corners at precisely 90 degrees for flush alignment to other cabinets. One locking pin to adjoin other G.A. Systems units.

Body of cabinet is 20 gauge galvanized trimmed with 20 gauge stainless steel back and end panels. Tubular 1-1/2" square stainless steel tubing frames the cabinet's structure to join the front, back and end panels. Top frame is 1" square cold rolled tubing, bottom frame constructed from 1" square stainless steel tubing.

Front, back and ends trimmed with 22 gauge stainless steel #4 finish trim to accept interchangeable color panels. All NSF approved high pressure laminates are available as well as stainless steel or powder coated finish.

There is a 3.75" clearance from the bottom of the cabinet to the floor.

Plate type 3" swivel non-marking casters with brakes.

Consider dimensions +2" on each side for door and pathway clearance.

ACCESSORIES

- Tray Slide (stainless steel or solid surface material)
- Condiment Inserts

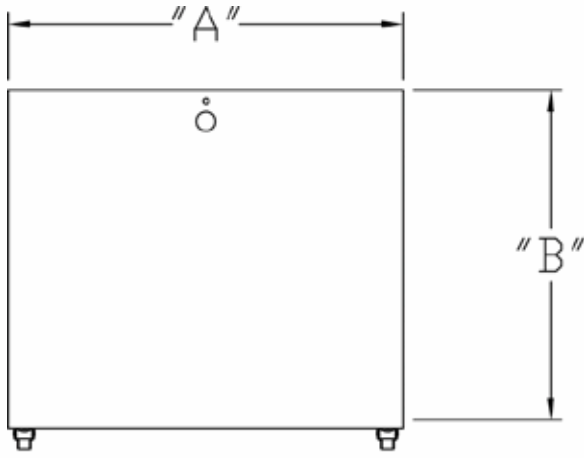


STANDARD FEATURES

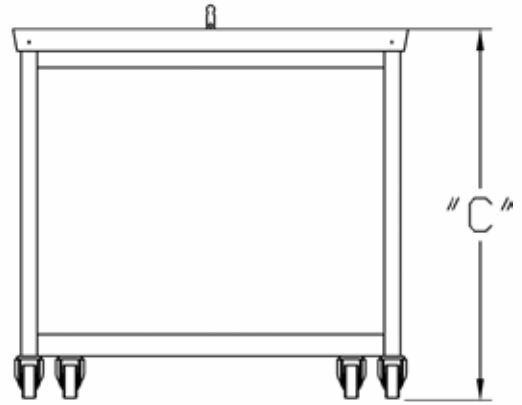
- 1-3/4" grommet on top and bottom shelf
- Plate type 3" swivel non - marking casters'
- Locking pin (1)



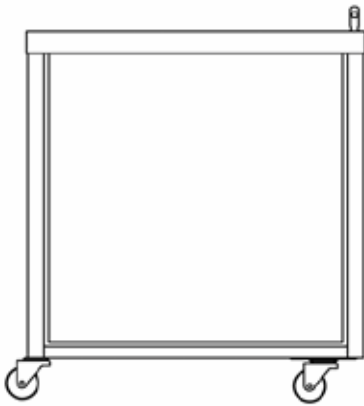
NSF/ANSI St No.2
Rev 07/2018



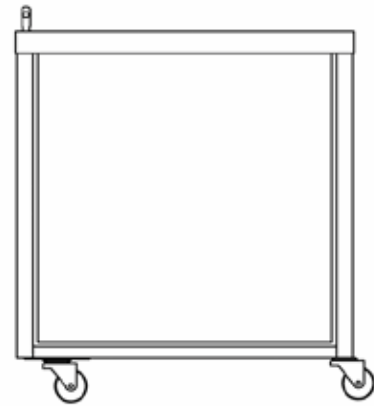
TOP VIEW



END VIEW



BACK VIEW



FRONT VIEW

MODEL	A	B	C
D3136A	31-3/8"	36-3/8"	34"