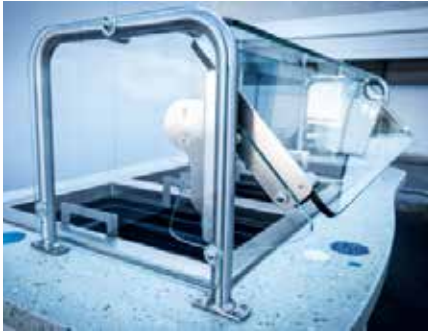




Specializing in Cafeteria Serving Lines

G.A. SYSTEMS, Inc.

“Quick Click” Glass Single Sided Sneeze Guard



Project: _____
 Item #: _____
 Model #: _____

SPECIFICATIONS

“Quick Click” Glass Single Sided Sneeze Guard is fabricated with 1” round stainless steel tubing. Top and front are covered with 3/8” and ends are covered with 3/16” thick tempered glass with 1” radius polished edges.

Tuck away wings pop out end panels meet NSF standards and tuck away when not in use for an unobtrusive sleek profile. Front glass is adjustable 4 different position and allows the tuck away wings to come out.

The length is determined by the suffix LL after the model SN. “G” indicates that the sneeze guard is made of glass.

NSF Standards

The maximum vertical distance between the finish floor and the bottom leading edge of a food shield shall be 52 inches (1321 mm).

The maximum vertical distance between the food display area and bottom leading edge of a food shield shall be 15 inches (381mm).

The minimum horizontal distance between the front of counter top equipment and the bottom leading edge of a food shield shall be 7 inches (178 mm).

The sum of a food shield’s protected horizontal plane (X) and it protected vertical plane (Y) shall be greater than or equal to 20 inches (508mm). Either X or Y may equal 0 inches (0mm).

STANDARD FEATURES

- 1” round stainless steel tubing
- Top mount
- Stainless steel brushed finish
- Independent angular adjustable
- Hardware included
- 3/8” thick tempered glass with polished edges

OPTIONS

- Under mount
- Powder coated finish
- Heat strips
- Heat strips with lights
- Lights (fluorescent or LED)
- Stainless steel top



NSF/ANSI St No.2
Patent Pending
Rev 03/2018

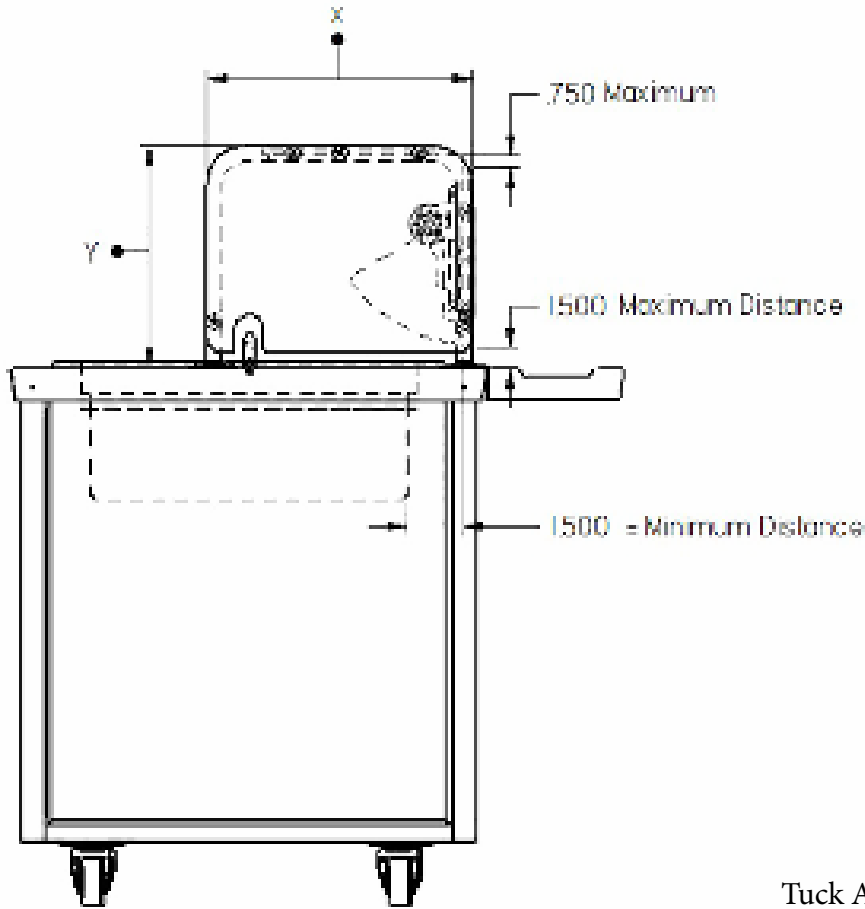


Specializing in Cafeteria Serving Lines

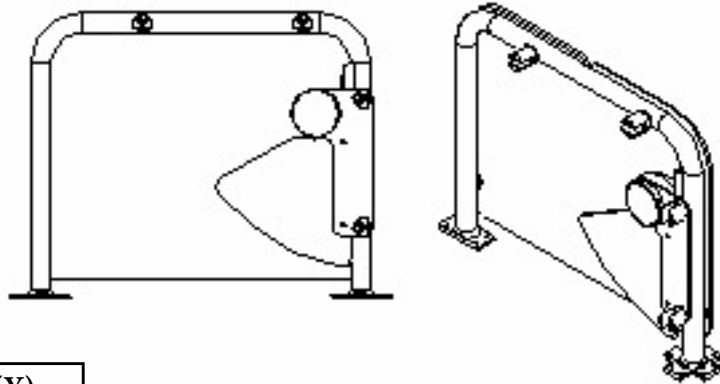
G.A. SYSTEMS, Inc.

“Quick Click” Glass Single Sided Sneeze Guard pg2

Project: _____
 Item #: _____
 Model #: _____



Tuck Away Wings



DIMENSIONS

MODEL	L	W (X)	H (Y)
SNLL16G	XX"	16-5/16"	14-1/4"
SNLL19G	XX"	19-5/16"	14-1/4"

Standard Widths
 • 16-5/16" for 30"
 • 19-5/16" for 36"

ANSI/NSF Standard No.2
 Patent Pending

Rev 11/2017