



Specializing in Cafeteria Serving Lines

G.A. SYSTEMS, Inc.

## Quick Click Double Sided Glass Sneeze Guard

Project: \_\_\_\_\_  
Item #: \_\_\_\_\_  
Model #: \_\_\_\_\_



### SPECIFICATIONS

Quick Click Double Sided Glass Sneeze Guard is fabricated of 1" round stainless steel tubing. Top and front are covered with 3/8" and ends are covered with 3/16" thick tempered glass with 1" radius polished edges. Ends are covered with 3/16" thick tempered glass with 1" radius polished edges. Front and back glass is adjustable.

Tuck away wings pop out end panels meet NSF standards and tuck away when not in use for an unobtrusive sleek profile. Front glass is adjustable 4 different positions and allows the tuck away wings to come out.

The length is determined by the suffix LL after the model DSN. "G" indicates that the sneeze guard is made of glass.

### NSF STANDARDS

The maximum vertical distance between the finish floor and the bottom leading edge of a food shield shall be 52 inches (1321 mm).

The maximum vertical distance between the food display area and bottom leading edge of a food shield shall be 15 inches (381 mm).

The minimum horizontal distance between the front of center top equipment and the bottom leading edge of a food shield shall be 7 inches (178 mm).

The sum of a food shield's protected horizontal plane (X) and it protected vertical plane (Y) shall be greater than or equal to 20 inches (508 mm). Either X or Y may equal 0 inches (0 mm).



### STANDARD FEATURES

- 1" round stainless steel tubing
- Top mount
- Stainless steel brushed finish
- Independent angular adjustable
- Hardware included
- 3/8" thick tempered glass with polished edges\*  
\*3/8" thick glass- maximum span 60"

### OPTIONS

- Under mount
- Powder coated finish
- Heat strips
- Heat strips with lights
- Lights (fluorescent or LED)
- Stainless steel top

ETL CLASSIFIED



Intertek

NSF/ANSI St No.2  
Patent Pending  
Rev 03/2018

714.848.7529

gasystemsmfg.com

sales@gasystemsmfg.com

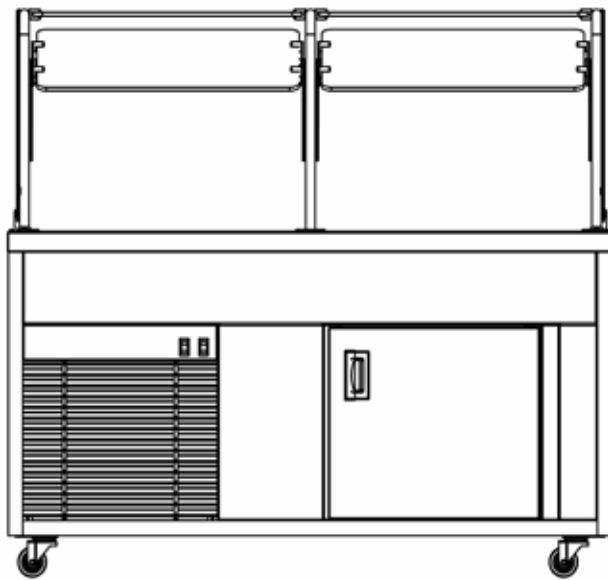


Specializing in Cafeteria Serving Lines

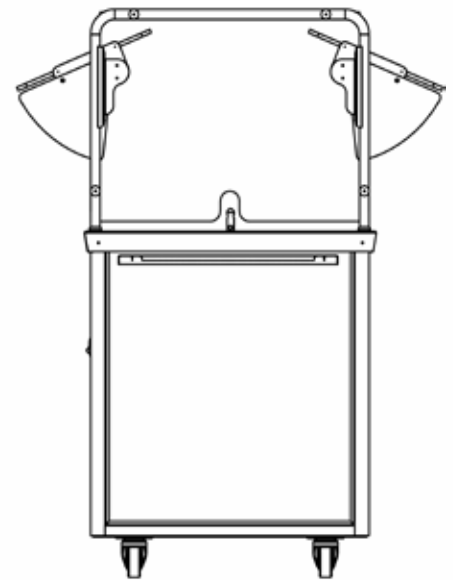
# G.A. SYSTEMS, Inc. Quick CLick Double Sided Glass Sneeze Guard pg2

Project: \_\_\_\_\_  
 Item #: \_\_\_\_\_  
 Model #: \_\_\_\_\_

LL



WW



## DIMENSIONS

MODEL	LL	WW	H (Y)
DSNLL30G	LL"	29"	22"
DSNLL36G	LL"	35"	22"

Standard Widths:

\* 30" for 30" wide cabinets

\* 36" for 36" wide cabinets