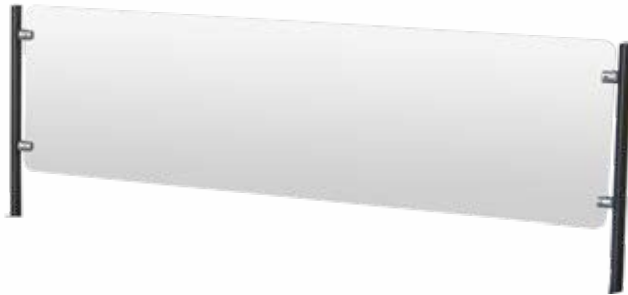




Specializing in Cafeteria Serving Lines

G.A. SYSTEMS, Inc.

Glass Divider Screen



Project: _____
Item #: _____
Model #: _____

SPECIFICATIONS

Glass divider Screen provides an almost invisible barrier between the customer and the food preparation and serving counter areas.

The glass is held in place with stainless steel posts and hardware is mounted to the counter top.

The length is determined by the suffix LL after the model DS. "G" indicates that the divider screen is made of glass.

NSF Standards

Vertical food shield shall provide a barrier to a minimum height of 30inches (762 mm) above the counter top.

The maximum vertical distance from the between edge of a food shield and food display area shall be 6 inches (152 mm).

The minimum horizontal distance between the front inside edge of displayed food and the front (customer sided) face of the food shield shall be three-quarters of the vertical distance (0.75 x vertical distance).

STANDARD FEATURES

- 1" round stainless steel tubing
- Top mount
- Stainless steel brushed finish
- Hardware included
- 3/8" thick tempered glass with polished edges*
*3/8" thick glass- maximum span 60"

OPTIONS

- Under mount
- Powder coated finish

ETL CLASSIFIED



Intertek

NSF/ANSI St No.2
Rev 03/2018

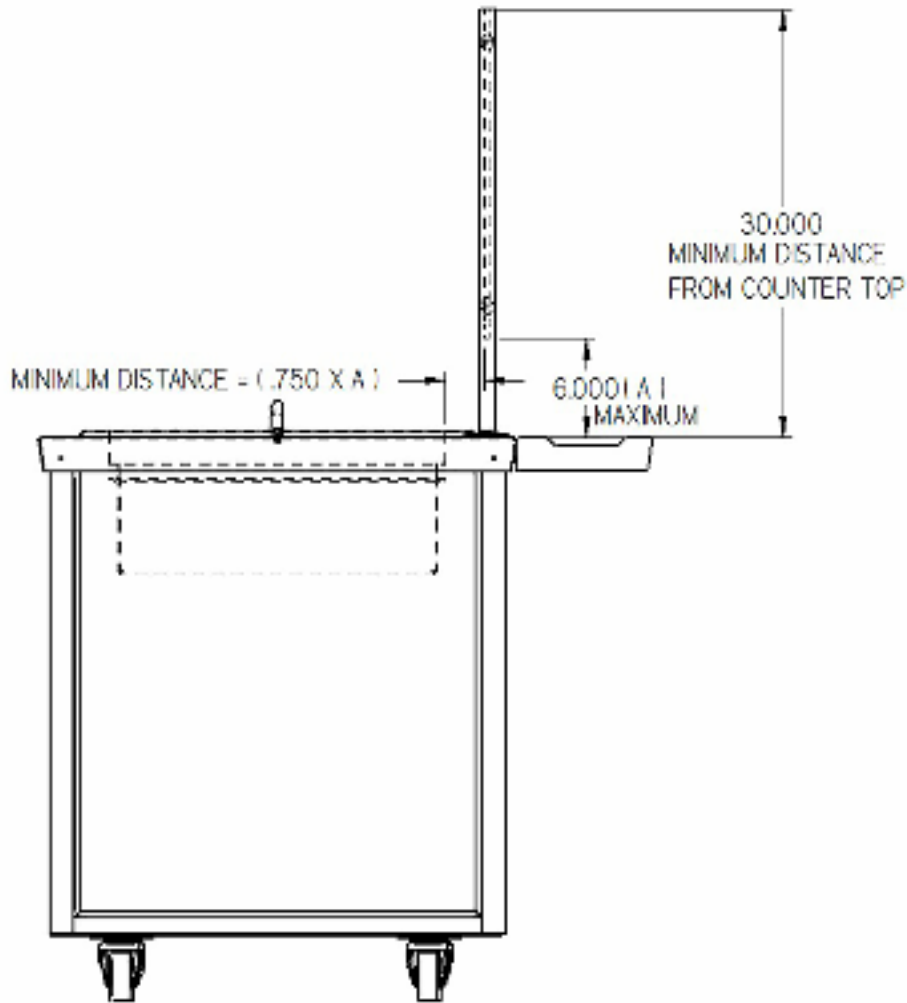


Specializing in Cafeteria Serving Lines

G.A. SYSTEMS, Inc.

Glass Single Sided Sneeze Guard pg2

Project: _____
 Item #: _____
 Model #: _____



DIMENSIONS

MODEL	L	W	H
DSXXG	LL"	1"	30"

Rev 03/2018