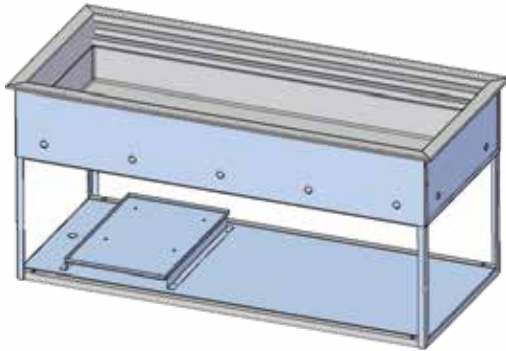




Specializing in Cafeteria Serving Lines

G.A. SYSTEMS, Inc.

Refrigerated Salad Bar Drop In



Project: _____
Item #: _____
Model #: _____

Our Salad Bar Drop In is designed with a cold wall refrigeration systems that safely serves and displays refrigerated foods at required temperatures.

SPECIFICATIONS

Well constructed from 18 gauge 304 stainless steel is 8" deep, continuous seamless welded design as one piece. No screws are used in construction of the well. Top of well is recessed 2" to allow for cold airflow over food.

Cold wall refrigeration system with pour urethane foam insulation. 404A refrigeration used. Temperature is preset at the factory.

STANDARD FEATURES

- Installs in your new or existing counter
- 3' standard conduit length
- Compressor located on left
- 404A refrigerant
- Hard wire connection
- Adjustable leveling feet

OPTIONS

- Cord and plug; specify length
- Control panel conduit length; specify length
- Adapter bar set
- Compressor location on right
- Custom sizes available for your counter

ACCESSORIES

- Pan Adapters

ETL CLASSIFIED



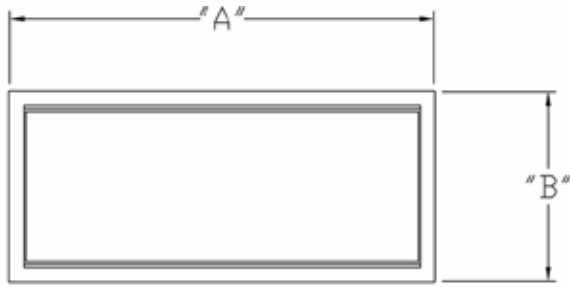
Intertek

NSF/ANSI St No.7
Rev 04/2017

714.848.7529

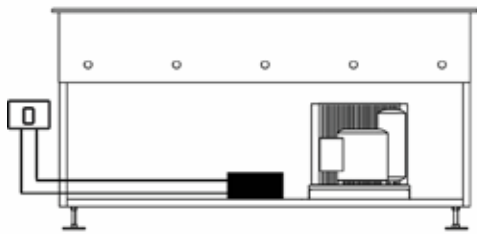
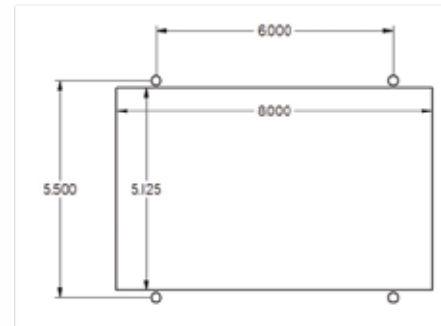
gasystemsmfg.com

sales@gasystemsmfg.com



TOP VIEW

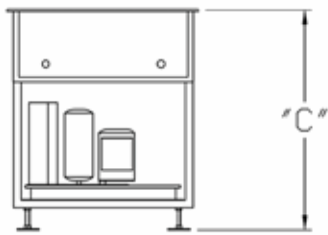
CONTROLS CUTOUT



BACK VIEW



FRONT VIEW



END VIEW

UNIT

COUNTER CUTOUT

CONTROLS CUTOUT

MODEL	A	B	C	12"x20" Pan Capacity	Volt	Hz.	Requirement	Cord	Plug
SB2DI	33-1/4"	26-1/2"	27-7/8"	2	208/220	60	1Ø 20 AMP 4 WIRE	6'	NEMA 14-20
SB3DI	48-1/4"	26-1/2"	27-7/8"	3	208/220	60	1Ø 20 AMP 4 WIRE	6'	NEMA 14-20
SB4DI	62-1/4"	26-1/2"	27-7/8"	4	208/220	60	1Ø 20 AMP 4 WIRE	6'	NEMA 14-20
SB5DI	77-1/4"	26-1/2"	27-7/8"	5	208/220	60	1Ø 20 AMP 4 WIRE	6'	NEMA 14-20

L	W
32"	25-5/8"
47"	25-5/8"
61"	25-5/8"
76"	25-5/8"

L	H
6"	5-1/2"
6"	5-1/2"
6"	5-1/2"
6"	5-1/2"

Slimline configuration available in 1-3 pans.